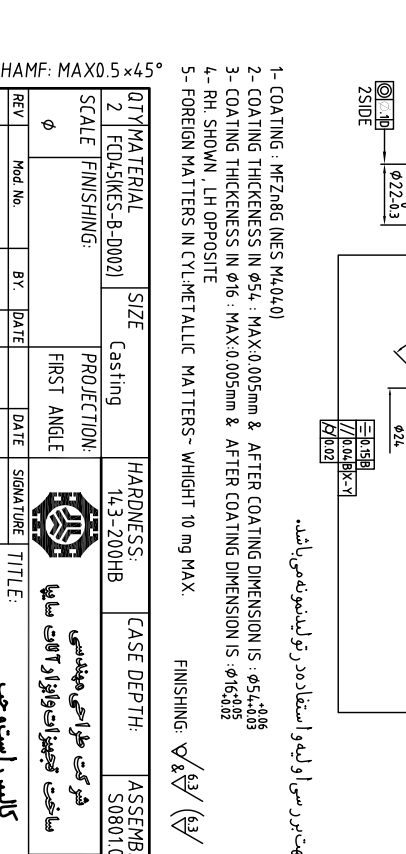
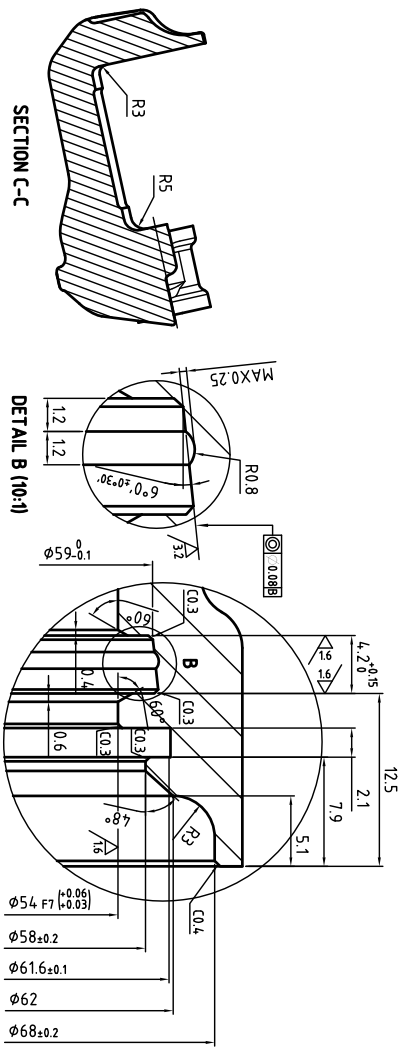
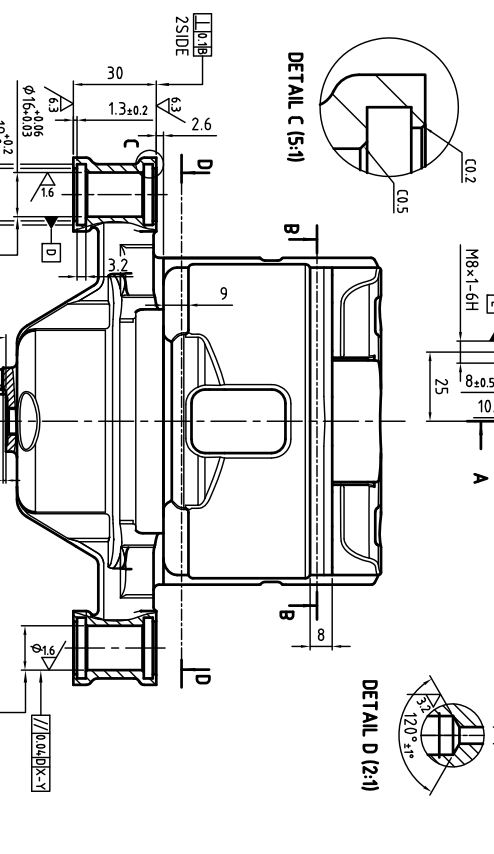
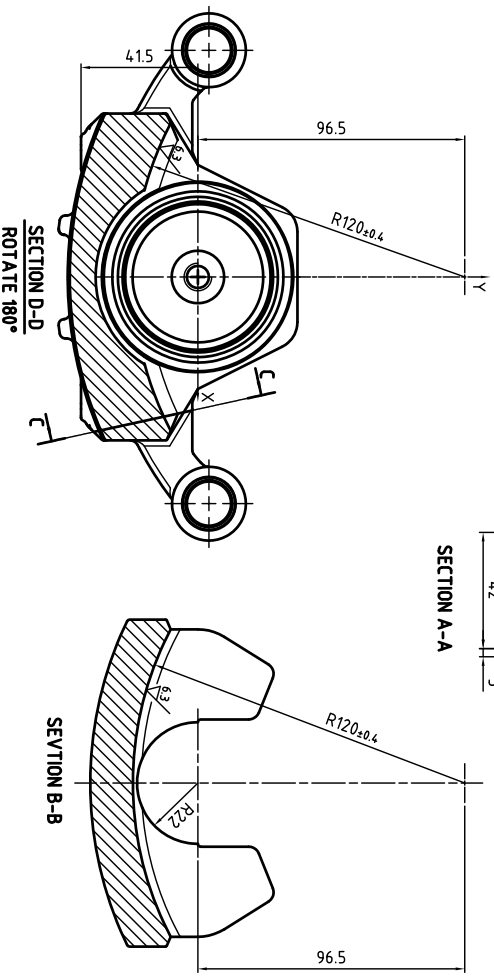
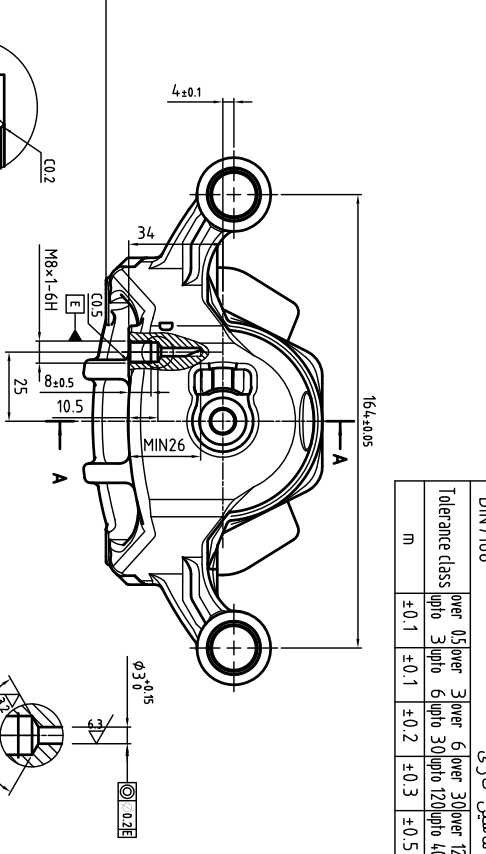
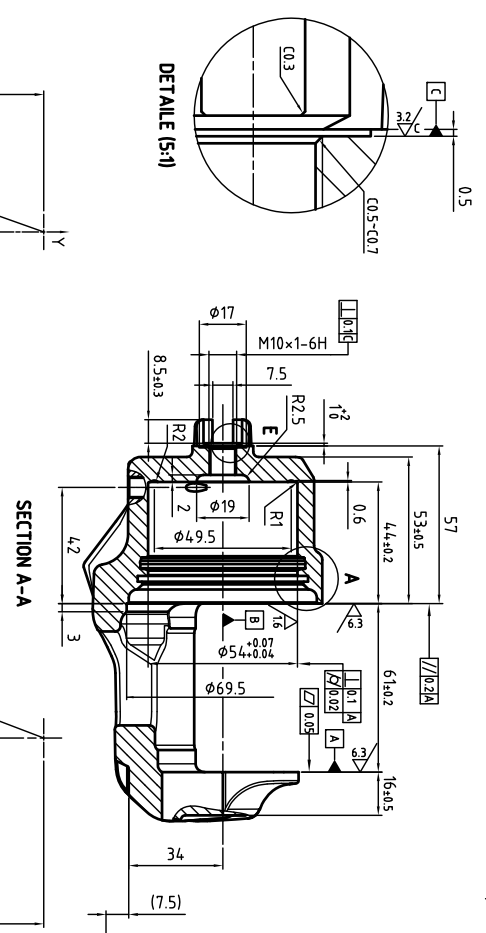


DIN7168	طول نسبی آزاد ماشین کاری										
Tolerance class	over 0.5	over 3	over 6	over 12	over 40	over 100	over 300	over 600	over 1000	over 2000	over 4000
m	±0.1	±0.1	±0.2	±0.3	±0.5	±0.8	±1.2				



- 1- COATING : MEZ18G (NES M4.04)
- 2- COATING THICKNESS IN φ54 : MAX:0.005mm & AFTER COATING DIMENSION IS : φ54.003
- 3- COATING THICKNESS IN φ16 : MAX:0.005mm & AFTER COATING DIMENSION IS : φ16.003
- 4- RH SHOWN , LH OPPOSITE
- 5- FOREIGN MATTERS IN CYL:METALLIC MATTERS - WHIGHT 10 mg MAX.

* نقشه صورت وضعیت بر سیر اولیه و استناد در تولید نمیباشد.

ALL EDGES CHAMF: MAX0.5x45°		QTY MATERIAL		SIZE		HARDNESS:		CASE DEPTH:		ASSEMBLY NO:		POS	
2		FD45(KES-B-0002)		Casting		14.3-200HB		S0801.001.01.00		S0801.001.01.00		1	
SCALE		FINISHING:		PROJECTION:		FIRST ANGLE		TITLE:		CALIPER (R & L)		DWG NO	
φ								کالیبر راست و چپ		S0801.001.01.01		00	
REV	Mod No	BY	DATE	DESIGNED	DATE	SIGNATURE	TITLE:	REPLACED NO.	DWG NO	REV	Page	Page	
01	R	COUL AB		DRAWN		COUL AB	کالیبر (R & L)	07581 FD000		00	-	00	

